



# NEW PRODUCTS

## ENGINE VALVES



**OFFER**

ENGINE VALVES | КЛАПАНЫ |  
VENTILE SOUPAPES | VALVULAS |  
SUPAPLAR

# NEW PRODUCTS PRICELIST

ENGINE VALVES													
Id Code	AMP Index	Net price	OEM	EAN Code	Brand	Engine code	Model	Stem diameter	Head diameter	Length	Seat angle	IN / EX	Groove shape
8688	PBMW048-S-0-N	4,78 €	11347583777	5903293630129	BMW	N52 B30 B, N20 B20 A, N55 B30 A	BMW 2.0 16V/3.0 24V	5,00	32,00	104,90	45°	IN	9,00
8689	PBMW049-B-0-N	6,80 €	11347598273	5903293630136	BMW	N52 B30 B, N20 B20 A, N55 B30 A	BMW 2.0 16V/3.0 24V	6,00	28,00	112,80	45°	EX	9,00
8614	PCIT105-S-0-N	5,16 €	9676359080	5903293628690	CITROEN	HNZ (EB2DT); HMZ (EB2), HMZ (EB2F), HMT (EB2D); ZMZ (EB0); HMU (EB2D), HMU (EB2FD); HMZ (EB2), HMZ (EB2F)	BERLINGO Furgon/minivan (B9) PureTech 110; C1 II (PA_, PS_) 1.2 Vti 82; C3 II (SC_) 1.0 Vti 68; C4 CACTUS 1.2 Vti; DS3 (SA_) 1.2 Vti 82	5,00	29,10	92,60	45°	IN	1,00
8615	PCIT106-A-0-N	5,88 €	9676359180	5903293628737	CITROEN	HNZ (EB2DT); HMZ (EB2), HMZ (EB2F), HMT (EB2D); ZMZ (EB0); HMU (EB2D), HMU (EB2FD); HMZ (EB2), HMZ (EB2F)	BERLINGO Furgon/minivan (B9) PureTech 110; C1 II (PA_, PS_) 1.2 Vti 82; C3 II (SC_) 1.0 Vti 68; C4 CACTUS 1.2 Vti; DS3 (SA_) 1.2 Vti 82	5,00	26,00	91,90	45°	EX	1,00
8650	PCIT107-S-0-N	3,87 €	9676718180	5903293629154	CITROEN	AHR (DW10FD); AHR (DW10FD); 4HT (DW12BTED4); 4HT (DW12BTED4); 4HP (DW12BTED4), 4HR (DW12BTED4)	C4 II (NC_) 2.0 HDi / BlueHDi 150; C5 III (RD_) 2.0 HDi 150 / BlueHDi 150; C5 II (RC_) 2.2 HDi; C6 (TD_) 2.2 HDi, C8 (EA_, EB_) 2.2 HDi; C5 II (RC_) 2.2 HDi	6,00	27,20	96,00	45°	IN	9,00
8651	PCIT108-B-0-N	6,05 €	0949.E1	5903293629215	CITROEN	AHR (DW10FD); AHR (DW10FD); 4HT (DW12BTED4); 4HT (DW12BTED4); 4HP (DW12BTED4), 4HR (DW12BTED4)	C4 II (NC_) 2.0 HDi / BlueHDi 150; C5 III (RD_) 2.0 HDi 150 / BlueHDi 150; C5 II (RC_) 2.2 HDi; C6 (TD_) 2.2 HDi, C8 (EA_, EB_) 2.2 HDi; C5 II (RC_) 2.2 HDi	6,00	25,10	95,00	45°	EX	9,00
8616	PFIA317-S-0-N	9,51 €	4802204	5903293628775	FIAT	8060.24.001; 8060.24.601; 8065.24 Turbo; 8060.24.670, 8060.24.671; 8060.24.678	FIAT 5.5TD - Series 80-16, Series 315.8.17; Series 115.17.1/135-17.1; 1280-1380	8,00	44,50	125,60	30°	IN	1,00
8645	PFIA201-A-0-N	7,45 €	99433902	5903293628997	FIAT	8060.45S Euro 1 6000, 6010, 6020, 6030, 6040, 6045, 6052, 6070, 6110, 6120, 6130, 6140, 6150, 6203, 6700	120/130/135 E 23 EuroCargo, 150/170 E 23 EuroCargo, 260/280 E 23 EuroCargo, 130 E 24 EuroCargo	9,00	38,30	141,20	45°	EX	1,00
8648	PFIA320-S-0-N	3,62 €	6000616511	5903293629055	FIAT	R9M 413	Talento 1.6 D	6,00	23,50	104,40	45°	IN	9,00
8649	PFIA321-B-0-N	5,40 €	6260500800	5903293629109	FIAT	R9M 413	Talento 1.6 D	6,00	23,40	104,10	45°	EX	9,00
8650	PFIA318-S-0-N	3,87 €	9676718180	5903293629161	FIAT	4HT (DW12BTED4)	ULYSSE (179_) 2.2 D Multijet	6,00	27,20	96,00	45°	IN	9,00
8651	PFIA319-B-0-N	6,05 €	0949.E1	5903293629222	FIAT	4HT (DW12BTED4)	ULYSSE (179_) 2.2 D Multijet	6,00	25,10	95,00	45°	EX	9,00

# NEW PRODUCTS PRICELIST

ENGINE VALVES													
Id Code	AMP Index	Net price	OEM	EAN Code	Brand	Engine code	Model	Stem diameter	Head diameter	Length	Seat angle	IN / EX	Groove shape
8642	PFOR190-A-0-N	5,61 €	1096250	5903293628966	FORD	DOFA, DT24H ; D2FA, F4FA ; DT24N, DT24P ; D2FE	Transit 2.4 TDDi ; Transit 2.4 DI 16V ; Transit 2.4 TD ; Transit 2.4 TDDi 16V	7,00	31,30	122,20	30°	IN	9,00
8650	PFOR251-S-0-N	3,87 €	9676718180	5903293629147	FORD	T7DB ; T7DB ; T7DB ; T8DE ; T8DE ; T8DA ; Q4WA	C-MAX II (DXA/CB7, DXA/CEU) 2.0 TDCi ; FOCUS III 2.0 TDCi ; GRAND C-MAX (DXA/CB7, DXA/CEU) 2.0 TDCi ;	6,00	27,20	96,00	45°	IN	9,00
8651	PFOR252-B-0-N	6,05 €	0949.E1	5903293629208	FORD	T7DB ; T7DB ; T7DB ; T8DE ; T8DE ; T8DA ; Q4WA	C-MAX II (DXA/CB7, DXA/CEU) 2.0 TDCi ; FOCUS III 2.0 TDCi ; GRAND C-MAX (DXA/CB7, DXA/CEU) 2.0 TDCi ;	6,00	25,10	95,00	45°	EX	9,00
8680	PHON054-B-0-N	5,94 €	06147-5AY-H00	5903293630068	HONDA	P10A2, P10A4	CIVIC X 1.0 VTEC	5,50	23,00	112,40	45°	EX	1,00
8702	PHON053-S-0-N	4,74 €	14711-5AY-H00	5903293630372	HONDA	P10A2, P10A4	CIVIC X 1.0 VTEC	5,50	28,00	109,40	45°	IN	1,00
8645	PIVE031-A-0-N	7,45 €	99433902	5903293629000	IVECO	8060.45S Euro 1 6000, 6010, 6020, 6030, 6040, 6045, 6052, 6070, 6110, 6120, 6130, 6140, 6150, 6203, 6700	120/130/135 E 23 EuroCargo, 150/170 E 23 EuroCargo, 260/280 E 23 EuroCargo, 130 E 24 EuroCargo	9,00	38,30	141,20	45°	EX	1,00
6787	PJOH048-B-0-N	20,31 €	R122035	5903293607985	JOHN DEERE	PowerTech Plus V8	JOHN DEERE - SERIES 9000/7700/7800	9,00	46,50	196,00	30°	IN/EX	1,00
8650	PLAN102-S-0-N	3,87 €	9676718180	5903293629178	LANCIA	4HT	PHEDRA (179_) 2.2 D Multijet (179.AXM1B, 179.AXP11, 179.BXM1B)	6,00	27,20	96,00	45°	IN	9,00
8651	PLAN103-B-0-N	6,05 €	0949.E1	5903293629239	LANCIA	4HT	PHEDRA (179_) 2.2 D Multijet (179.AXM1B, 179.AXP11, 179.BXM1B)	6,00	25,10	95,00	45°	EX	9,00
8652	PMWM026-B-0-N	9,19 €	brak numeru OE	5903293629260	M.W.M.	TD 226 B-3 ; TD 226 B-4 ; TD 226 B-6	M.W.M. TRACTORS	9,00	43,00	117,00	45°	EX	9,00
8644	PMER031-S-0-N	4,25 €	6680530301	5903293628980	MERCEDES-BENZ	OM 668.914 ; OM 668.940 ; OM 668.941 ; OM 668.942	Vaneo 1.7 CDI ; A 160 CDI (168), A 170 CDI (168) ; A 160 CDI (168) ; A 170 CDI (168)	6,00	29,60	105,20	45°	IN	9,00
8645	PMER096-A-0-N	7,45 €	99433902	5903293629017	MERCEDES-BENZ	OM 356.944 Euro 1	Series 1317	9,00	38,30	141,20	45°	EX	1,00
8648	PMER120-S-0-N	3,62 €	6000616511	5903293629062	MERCEDES-BENZ	OM 626.951	KLASA C (W205) C 180 BlueTEC / d (205.036)	6,00	23,50	104,40	45°	IN	9,00
8649	PMER121-B-0-N	5,40 €	6260500800	5903293629116	MERCEDES-BENZ	OM 626.951	KLASA C (W205) C 180 BlueTEC / d (205.036)	6,00	23,40	104,10	45°	EX	9,00
8650	PMIT067-S-0-N	3,87 €	9676718180	5903293629185	MITSUBISHI	4HK, 4HN	OUTLANDER II (CW_W) 2.2 DI-D 4WD	6,00	27,20	96,00	45°	IN	9,00
8651	PMIT068-B-0-N	6,05 €	0949.E1	5903293629246	MITSUBISHI	4HK, 4HN	OUTLANDER II (CW_W) 2.2 DI-D 4WD	6,00	25,10	95,00	45°	EX	9,00
8682	PMIT026-S-0-N	4,34 €	MD075925	5903293630105	MITSUBISHI	G32B	Colt 1.6, Mirage 1.6, Lancer 1.6, L300 1.6	8,00	38,00	103,50	45°	IN	1,00
8648	PNIS150-S-0-N	3,62 €	6000616511	5903293629079	NISSAN	R9M, R9N	QASHQAI / QASHQAI +2i (J10, NJ10, JJ10E) 1.6 dCi, X-TRAIL III (T32_, T32R, T32RR) 1.7 dCi	6,00	23,50	104,40	45°	IN	9,00
8649	PNIS151-B-0-N	5,40 €	6260500800	5903293629123	NISSAN	R9M, R9N	QASHQAI / QASHQAI +2i (J10, NJ10, JJ10E) 1.6 dCi, X-TRAIL III (T32_, T32R, T32RR) 1.7 dCi	6,00	23,40	104,10	45°	EX	9,00
8614	POPE139-S-0-N	5,16 €	9676359080	5903293628706	OPEL	B 12 XHL (EB2DT) ; D 12 XE (EB2FA), B 12 XE (EB2F)	CROSSLAND X / CROSSLAND (P17, P2QO) 1.2 (75) ; CROSSLAND X / CROSSLAND (P17, P2QO) 1.2 (75)	5,00	29,10	92,60	45°	IN	1,00
8615	POPE140-A-0-N	5,88 €	9676359180	5903293628744	OPEL	B 12 XHL (EB2DT) ; D 12 XE (EB2FA), B 12 XE (EB2F)	CROSSLAND X / CROSSLAND (P17, P2QO) 1.2 (75) ; CROSSLAND X / CROSSLAND (P17, P2QO) 1.2 (75)	5,00	26,00	91,90	45°	EX	1,00

# NEW PRODUCTS PRICELIST

ENGINE VALVES													
Id Code	AMP Index	Net price	OEM	EAN Code	Brand	Engine code	Model	Stem diameter	Head diameter	Length	Seat angle	IN / EX	Groove shape
8648	POPE141-S-0-N	3,62 €	6000616511	5903293629086	OPEL	R9M 452	VIVARO B Furgon (X82) 1.6 CDTI	6,00	23,50	104,40	45°	IN	9,00
8649	POPE142-B-0-N	5,40 €	6260500800	5903293629130	OPEL	R9M 452	VIVARO B Furgon (X82) 1.6 CDTI	6,00	23,40	104,10	45°	EX	9,00
8614	PPEU120-S-0-N	5,16 €	9676359080	5903293628713	PEUGEOT	HMZ (EB2F), HMT (EB2D) ; ZMZ (EB0); HNZ (EB2DT), HNV (EB2DTM); XFV (ES9A)	108 1.2; 208 I (CA_, CC_) 1.0; 308 II (LB_, LP_, LW_, LH_, L3_) 1.2 THP 110; 407 (6D_) 3.0 (6DXFVJ)	5,00	29,10	92,60	45°	IN	1,00
8615	PPEU121-A-0-N	5,88 €	9676359180	5903293628751	PEUGEOT	HMZ (EB2F), HMT (EB2D) ; ZMZ (EB0); HNZ (EB2DT), HNV (EB2DTM); XFV (ES9A)	108 1.2; 208 I (CA_, CC_) 1.0; 308 II (LB_, LP_, LW_, LH_, L3_) 1.2 THP 110; 407 (6D_) 3.0 (6DXFVJ)	5,00	26,00	91,90	45°	EX	1,00
8650	PPEU122-S-0-N	3,87 €	9676718180	5903293629192	PEUGEOT	EHZ (DW10FC); EHZ (DW10FC); AHW (DW10FC); 4HT (DW12BTED4); 4HT (DW12BTED4); 4HT (DW12BTED4); 4HP (DW12BTED4)	308 II 2.0 GT BlueHdi 180; 508 II 2.0 BlueHdi 180; 508 I 2.0 BlueHdi 180; 407 2.2 Hdi 170; 607 2.2 Hdi; 807 2.2 Hdi; 407 2.2 Hdi	6,00	27,20	96,00	45°	IN	9,00
8651	PPEU123-B-0-N	6,05 €	0949.E1	5903293629253	PEUGEOT	EHZ (DW10FC); EHZ (DW10FC); AHW (DW10FC); 4HT (DW12BTED4); 4HT (DW12BTED4); 4HT (DW12BTED4); 4HP (DW12BTED4)	308 II 2.0 GT BlueHdi 180; 508 II 2.0 BlueHdi 180; 508 I 2.0 BlueHdi 180; 407 2.2 Hdi 170; 607 2.2 Hdi; 807 2.2 Hdi; 407 2.2 Hdi	6,00	25,10	95,00	45°	EX	9,00
7906	PREN106-S-0-N	5,37 €	13201-6894R	5903293621639	RENAULT	H4J 700; H4J 700	MEGANE III coupe (DZ0/1_) 1.4 TCe (DZ0F, DZ1V); SCÉNIC III (JZ0/1_) 1.4 16V (JZ0F, JZ1V)	5,00	29,60	101,30	45°	IN	1,00
7907	PREN107-B-0-N	5,37 €	13202-8778R	5903293621646	RENAULT	H4J 700; H4J 700	MEGANE III coupe (DZ0/1_) 1.4 TCe (DZ0F, DZ1V); SCÉNIC III (JZ0/1_) 1.4 16V (JZ0F, JZ1V)	5,50	25,60	102,40	45°	EX	1,00
8648	PREN108-S-0-N	3,62 €	6000616511	5903293629048	RENAULT	R9M 409, R9M 414, R9N 400, R9N 401, R9M 453	TALISMAN (LP_) 1.6 dCi 130, KADJAR (HA_, HL_) 1.6 dCi 130, SCÉNIC IV (J9_) 1.7 Blue dCi 150 (J9A7, J9A8), MEGANE IV liftback (B9A/M/N_) 1.6 dCi 165	6,00	23,50	104,40	45°	IN	9,00
8649	PREN109-B-0-N	5,40 €	6260500800	5903293629093	RENAULT	R9M 409, R9M 414, R9N 400, R9N 401, R9M 453	TALISMAN (LP_) 1.6 dCi 130, KADJAR (HA_, HL_) 1.6 dCi 130, SCÉNIC IV (J9_) 1.7 Blue dCi 150 (J9A7, J9A8), MEGANE IV liftback (B9A/M/N_) 1.6 dCi 165	6,00	23,40	104,10	45°	EX	9,00
8614	PTOY123-S-0-N	5,16 €	9676359080	5903293628720	TOYOTA	1KR-FE; 1KR-FE	AYGO (_B1_) 1.0 (KGB10_); YARIS (_P9_) 1.0 GPL (KSP90_)	5,00	29,10	92,60	45°	IN	1,00
8615	PTOY124-A-0-N	5,88 €	9676359180	5903293628768	TOYOTA	1KR-FE; 1KR-FE	AYGO (_B1_) 1.0 (KGB10_); YARIS (_P9_) 1.0 GPL (KSP90_)	5,00	26,00	91,90	45°	EX	1,00

# Method of valve identification

## AMP® number

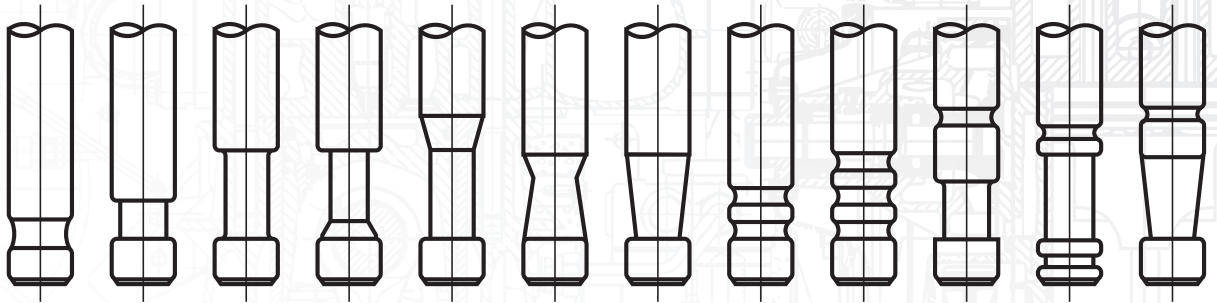
Example **P VWG 035 - A - P - C**

- **P** stands for 'valve'
- **XYZ** letters associated with the vehicle brand (e.g. **VWG** – means Volkswagen Group)
- **PXYZ###** index that specify the valve geometry

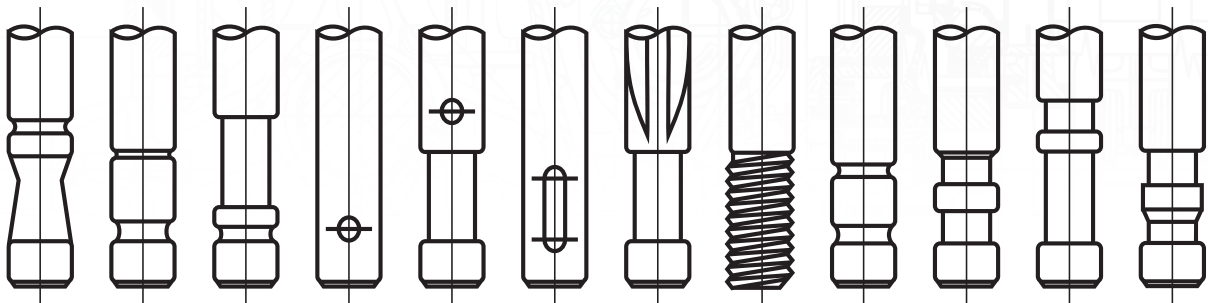
BASIC NAME	Basic name extension e.g: <b>A - P - C</b>		
<b>P + 3 letters + 3 digits</b>	Material - 1 letter	Stelliting - 1 letter or digit '0'	Surface upragde - 1 letter or digit '0'
Example: <b>P VWG 035</b>	<b>S</b> sorbitic	<b>0</b> no stellite	<b>0</b> no upgrade
	<b>A</b> austenitic	<b>P</b> stellite faying surface	<b>N</b> nitrided
	<b>B</b> bimetallic	<b>T</b> stellite stem tip	<b>C</b> chrome plated
	<b>Z</b> faying surface	<b>W</b> stellite faying surface and tip of the stem	<b>D</b> burnished



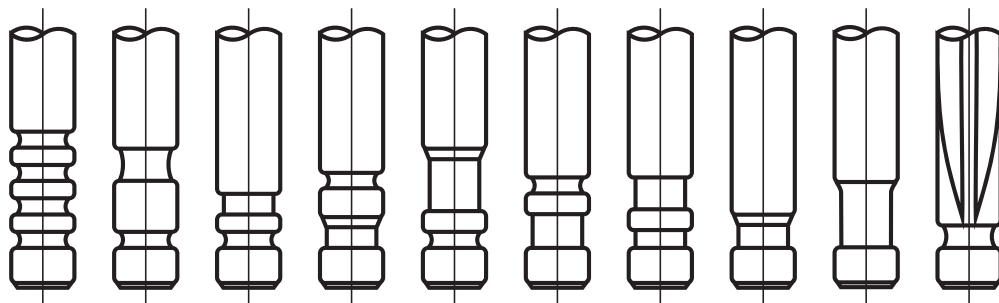
# Groove shapes



1 2 3 4 5 6 7 8 9 10 11 12



13 14 15 16 17 18 19 20 21 22 23 24



25 26 27 28 29 30 31 32 33 34

